



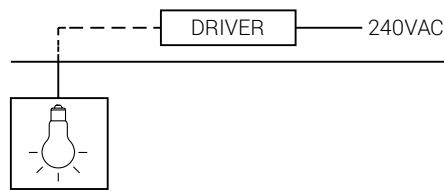
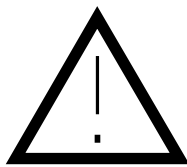
T-MINI SURFACE ADJUSTABLE (DALI) INSTALLATION GUIDE

Please read this manual carefully before proceeding with any installation or maintenance works. Failure to comply with the instructions listed in this manual may void warranty and, in the case of improper installation, cause serious injury. Please contact Artefact Industries with any questions relating to installation or maintenance.

INSTALLATION BY A LICENSED ELECTRICIAN ONLY!

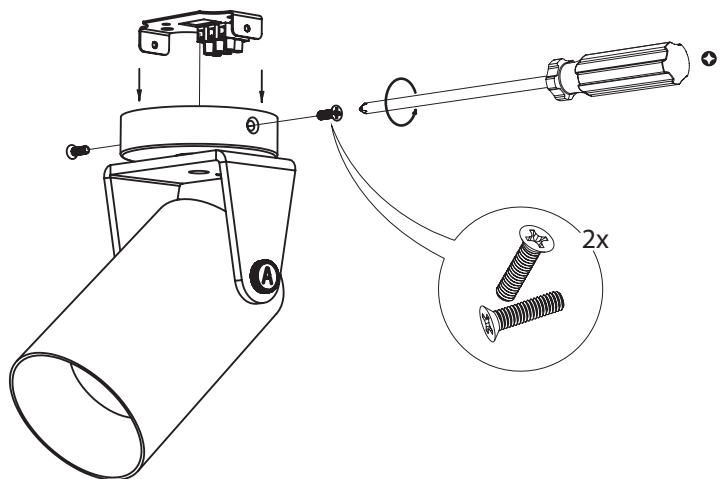
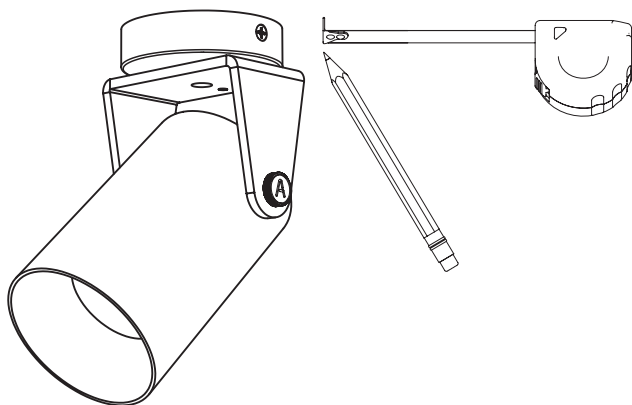
SIZE	WEIGHT	WATTAGE	INPUT VOLTAGE		TYPE	IP RATING
Ø80 X 200mm ADJUSTABLE	<2KG	MAX. 10W GU5.3 lamp base	12VDC	REMOTE LED DRIVER	CLASS III ⚡	IP40 INDOOR ONLY

IMPORTANT! Remotely housed driver needed to power light fitting. DO NOT CONNECT DIRECTLY TO 240VAC. Maximum lead length between light fitting and driver is 4 metres. NOTE: If light fitting is supplied with a dimmer, follow wiring instructions supplied with the dimmer.

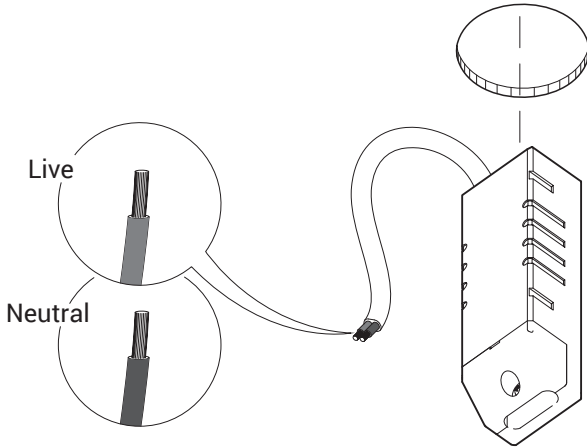


1 Measure and mark the mounting position of the fitting on the ceiling.

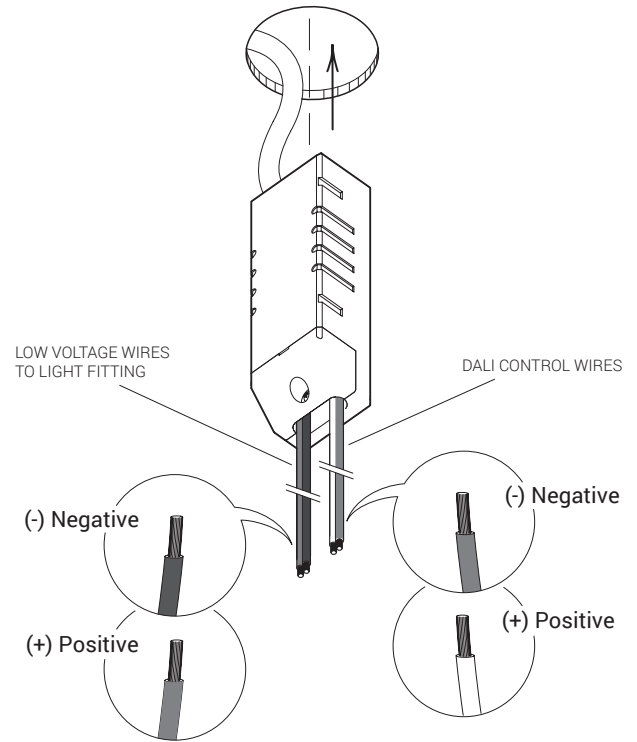
2 Remove the ceiling bracket assembly from the fitting via 2x screws located on sides of fitting. Place all items in a safe location for later steps.



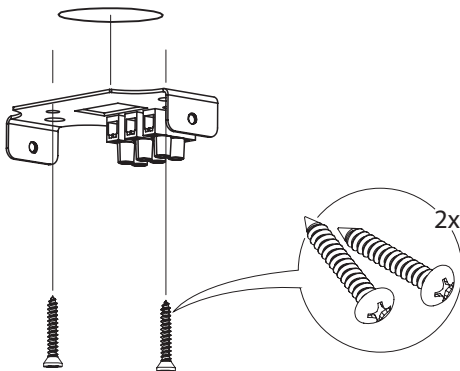
- 3** Cut access hole in ceiling substrate, ensuring cut-out is just large enough to fit both driver and wiring. Connect 230/240VAC wiring to corresponding terminals marked on driver: BROWN (Live), BLUE (Neutral).



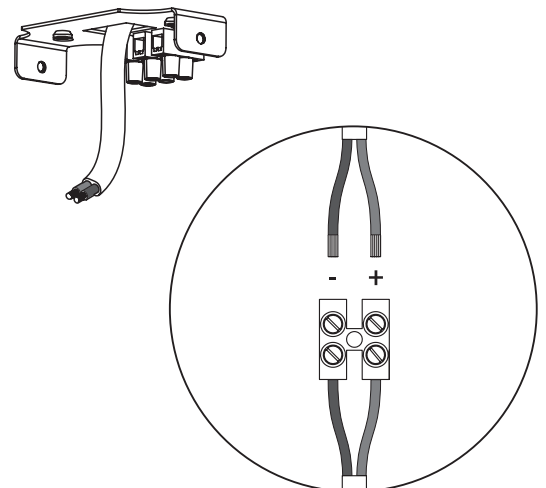
- 4** To corresponding terminals marked on driver: Connect DALI control wires; BLUE (+), WHITE (-). Connect low-voltage wiring; RED (+), BLACK (-). Then insert driver through hole cut in previous step.



- 5** Mount bracket to ceiling at cable exit point. *NOTE: Installer to supply screw fixings which are suitable for the mounting substrate and also the weight of the light fitting.

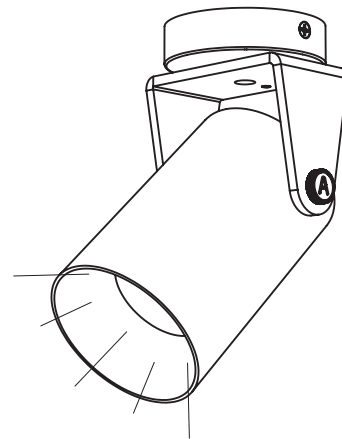
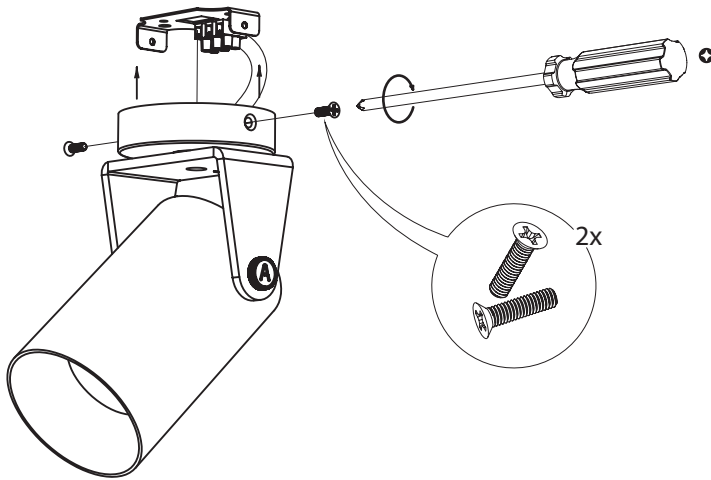


- 6** Feed low voltage cabling through ceiling access hole & bracket. Connect wires from driver to the light fitting. Ensure that polarity is correct: RED (+) & BLACK (-)



5 Re-fit light housing to the ceiling bracket assembly using hardware set aside in earlier steps.

6 Once installation is complete, remove any remaining packaging from the light fitting. It is now ready to be switched on*



T-MINI SURFACE ADJUSTABLE CLEANING

T-Mini looks best when dusted regularly. For any fingerprints or marks, use a damp micro-fibre cloth. If necessary, a mild detergent can be used which has a non-solvent base - A spot test is recommended on an unseen area before use of any cleaning product.

ENSURE LIGHT FITTING IS TURNED OFF WHEN CLEANING