



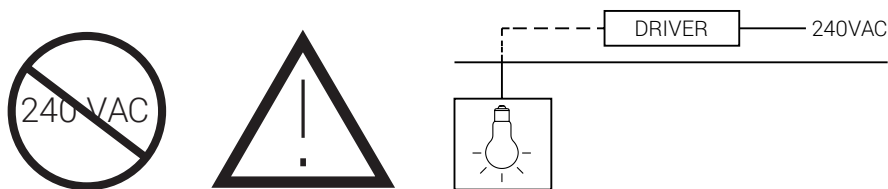
MOD PENDANT INSTALLATION GUIDE

Please read this manual carefully before proceeding with any installation or maintenance works. Failure to comply with the instructions listed in this manual may void warranty and, in the case of improper installation, cause serious injury. Please contact Artefact Industries with any questions relating to installation or maintenance.

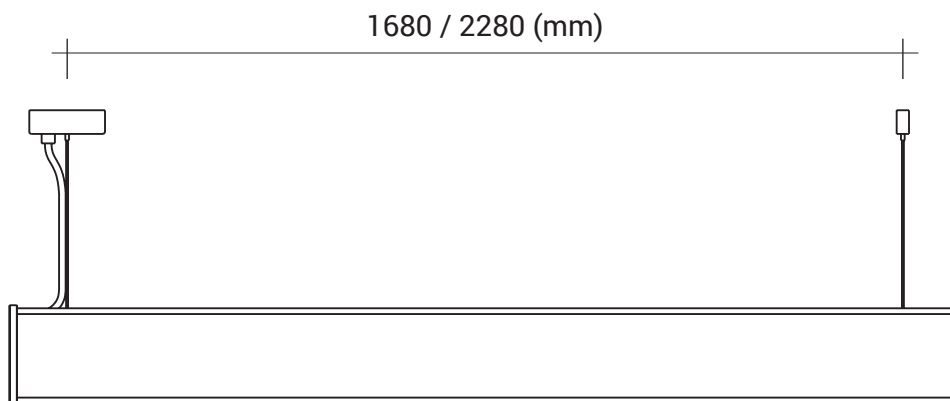
INSTALLATION BY A LICENSED ELECTRICIAN ONLY

SIZE	WEIGHT	WATTAGE	INPUT VOLTAGE		TYPE	IP RATING
1800mm 2400mm	≤7KG ≤11KG	32W 48W	42VDC	REMOTE LED DRIVER	CLASS III 	IP40 INDOOR ONLY

- 1** Remotely housed driver needed to power light fitting. DO NOT CONNECT DIRECTLY TO 240VAC. Maximum lead length between light fitting and driver is 4 metres.
NOTE : If light fitting is supplied with a dimmer, follow wiring instructions supplied with the dimmer

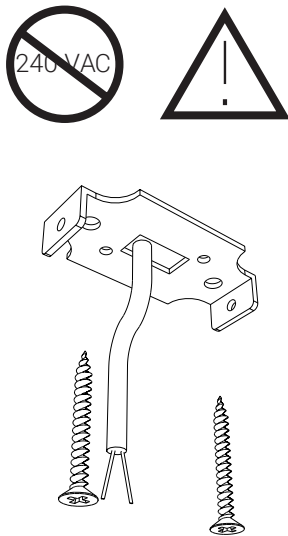


- 2** Measure and mark suspension points on ceiling. Dimensions below relate to Mod 1800 / 2400 respectively.
*Note: For a custom Mod pendant, suspension measurements must be taken directly from the product.

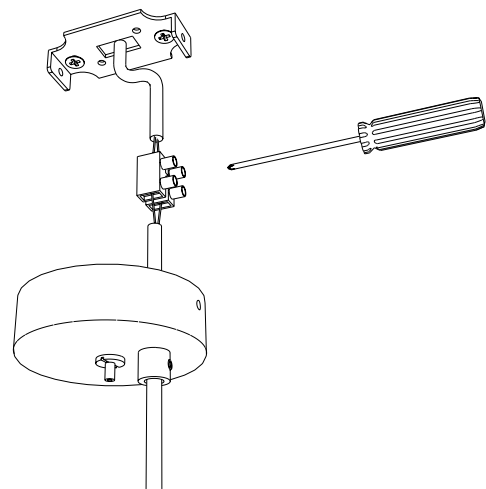


NOTE: Use of a platform to support the light fitting is recommended through steps 4 - 7

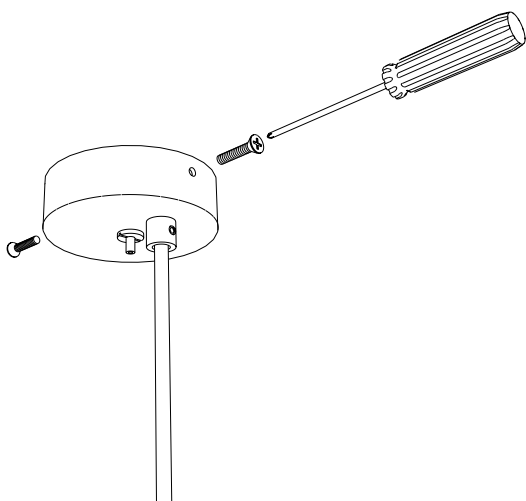
- 3** Attach bracket to ceiling at cable exit point. Installer to supply screw fixings which are suitable for the mounting substrate and weight of the light fitting



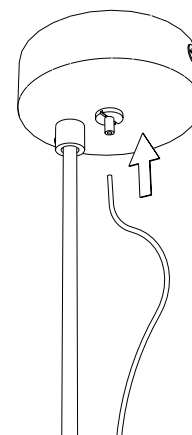
- 4** Feed flex through cord grip on canopy, cut back to required suspension length, then connect wires from driver & wires from light fitting. Ensure polarity is correct (RED + BLACK -)



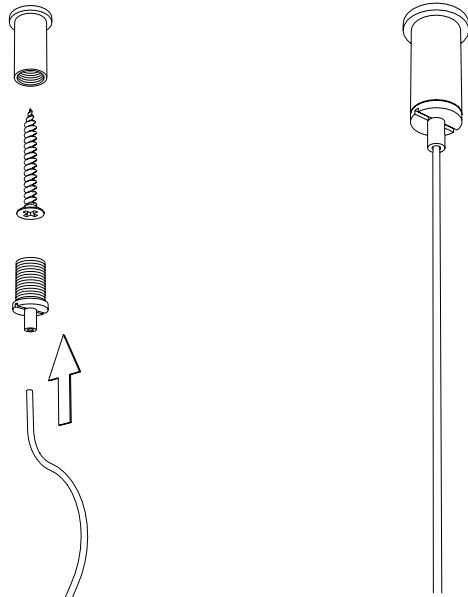
- 5** Once wires are firmly secured in the terminal block, place the canopy over the bracket and fix in position with supplied screws. Tighten the grub screw on the cord grip



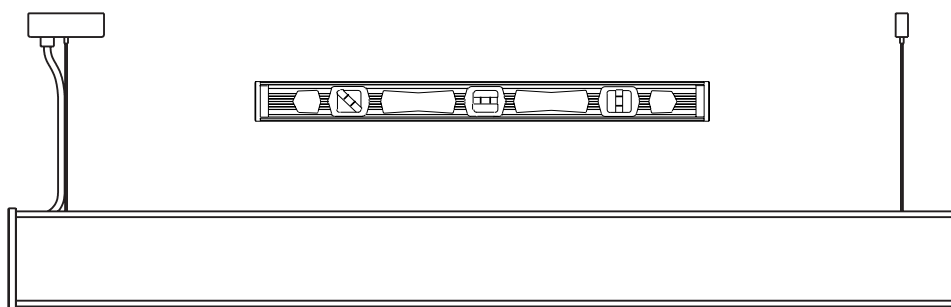
- 6** Cut the suspension wire back to the desired length, leaving some extra for final adjustment. Push the end of the wire up into the wire grip. The wire can be pulled free from the grip by depressing the nipple and pulling on the wire simultaneously



- 7** Fix ceiling bullet to ceiling and screw in threaded wire grip. Push the end of the wire up into the wire grip. Installer to supply screw fixings which are suitable for the mounting substrate and weight of the light fitting



- 8** The support platform can now be removed. Ensure the light fitting is hanging level.
The light fitting is now ready to be switched on



MOD PENDANT CLEANING

Mod looks best when dusted regularly. For any fingerprints or marks, use a damp micro-fibre cloth. If necessary, a mild detergent can be used which has a non-solvent base - a spot test is recommended on an unseen area before use of any cleaning product.

ENSURE LIGHT FITTING IS TURNED OFF WHEN CLEANING