



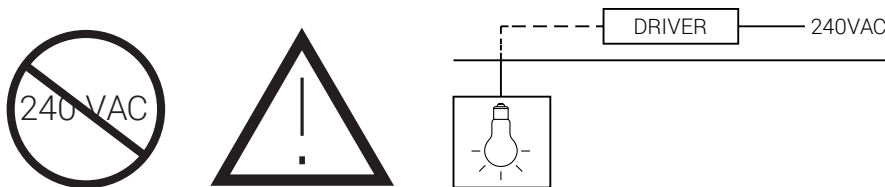
SOLID WALL INSTALLATION GUIDE

Please read this manual carefully before proceeding with any installation or maintenance works. Failure to comply with the instructions listed in this manual may void warranty and, in the case of improper installation, cause serious injury. Please contact Artefact Industries with any questions relating to installation or maintenance.

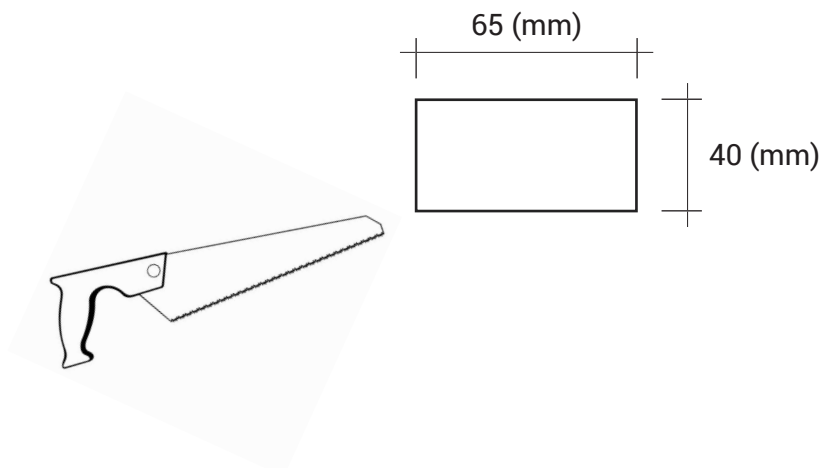
INSTALLATION BY A LICENSED ELECTRICIAN ONLY

SIZE	WEIGHT	WATTAGE	INPUT VOLTAGE		TYPE	IP RATING
900mm	6KG	25W	42VDC	REMOTE LED DRIVER	CLASS III 	IP40 INDOOR ONLY

- 1** Remotely housed driver needed to power light fitting. DO NOT CONNECT DIRECTLY TO 240VAC. Maximum lead length between light fitting and driver is 4 metres.
NOTE : If light fitting is supplied with a dimmer, follow wiring instructions supplied with the dimmer

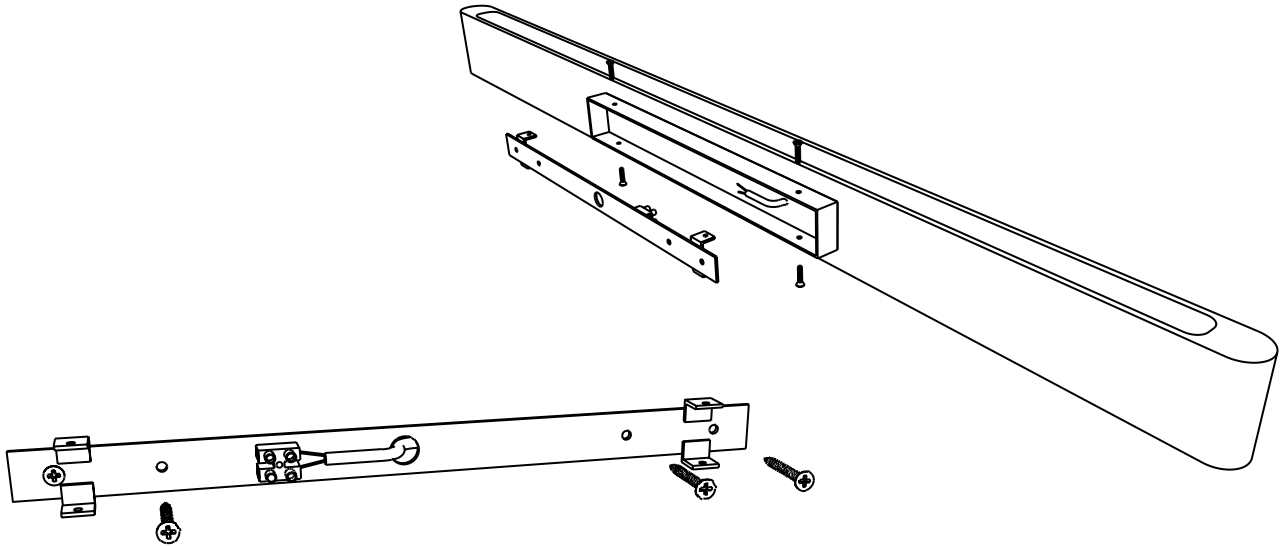


- 2** Cut hole in wall to fit remote driver. Recommended cut hole size is 40mm x 65mm



3

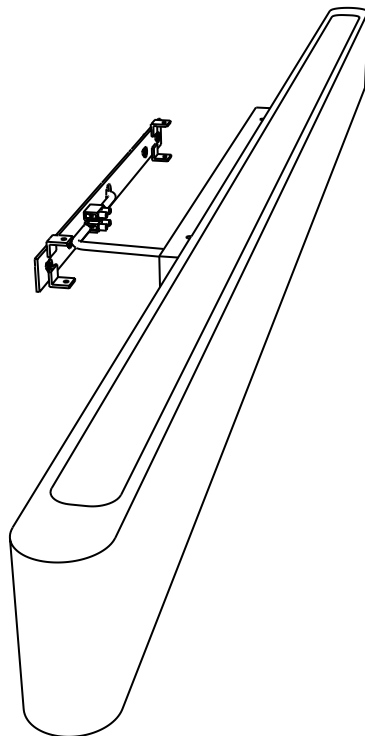
Remove the rear wall bracket from the main light fitting.
Attach the bracket to wall using screws/bolts which are suitable for the mounting substrate and weight of the light fitting.
Bring 42VDC cable from driver through the cable access hole and connect to the 2-part terminal block (please note correct polarity)



4

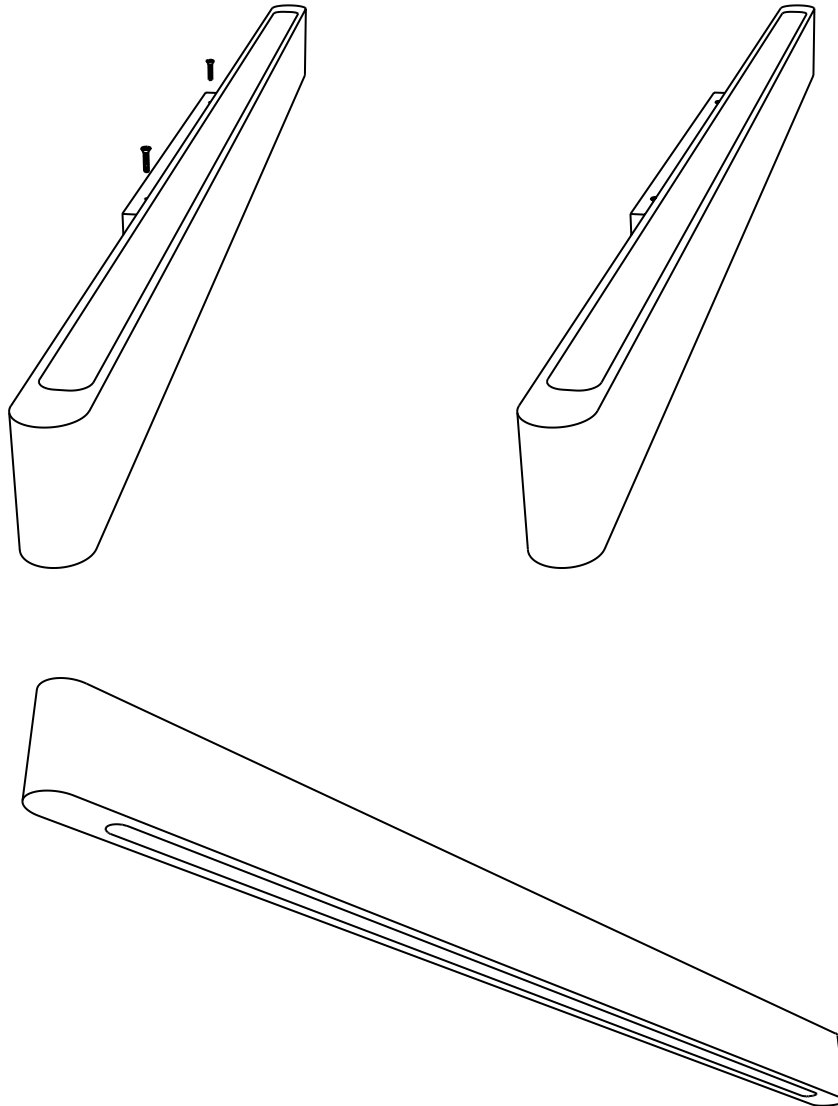
**** TWO PERSONS OR SUPPORT PLATFORM RECOMMENDED FOR THIS STEP ****

Lift the light fitting close to the wall bracket and connect the wires to the terminal block (note polarity).



5

Place the light fitting onto the wall bracket and fix in position using bracket screws. Light can then be switched on.



SOLID WALL LIGHT CLEANING

SOLID looks best when dusted regularly. For any fingerprints or marks, use a damp micro-fibre cloth. If necessary, a mild detergent can be used which has a non-solvent base - a spot test is recommended on an unseen area before use of any cleaning product.

ENSURE LIGHT FITTING IS TURNED OFF WHEN CLEANING