



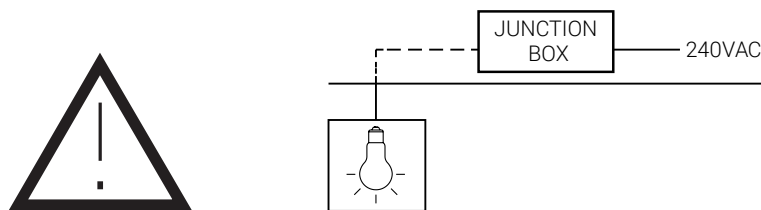
## FM SURFACE INSTALLATION GUIDE

Please read this manual carefully before proceeding with any installation or maintenance works. Failure to comply with the instructions listed in this manual may void warranty and, in the case of improper installation, cause serious injury. Please contact Artefact Industries with any questions relating to installation or maintenance.

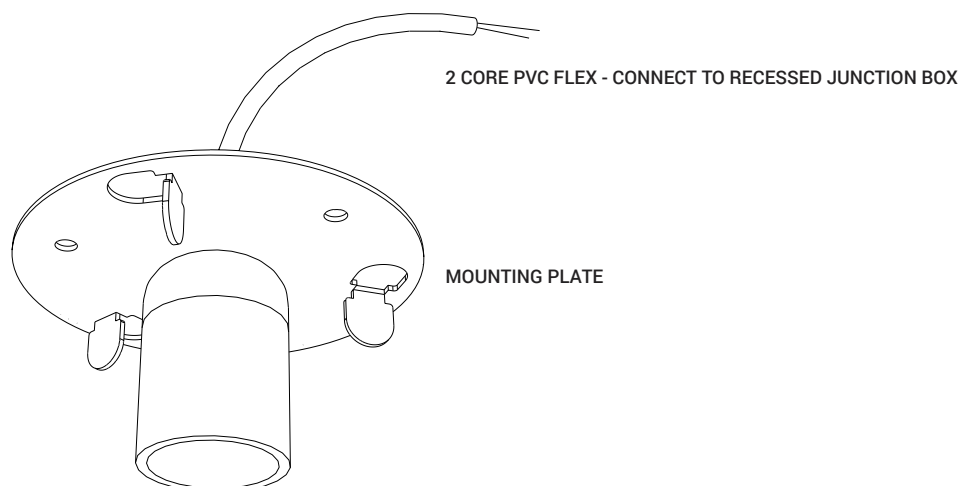
### INSTALLATION BY A LICENSED ELECTRICIAN ONLY

SIZE	WEIGHT	LAMP BASE	INPUT VOLTAGE	TYPE	IP RATING
Ø160mm H200mm	1.5KG	E27	230-240VAC 50Hz	CLASS I 	IP40 INDOOR ONLY

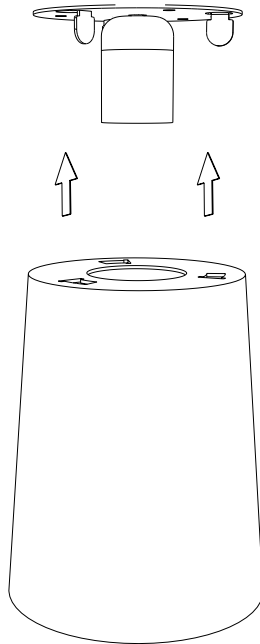
- 1** NOTE - This light fitting requires a recessed/remote enclosed terminal connection, to be supplied by the installer. Ensure electrical wiring standards are adhered to



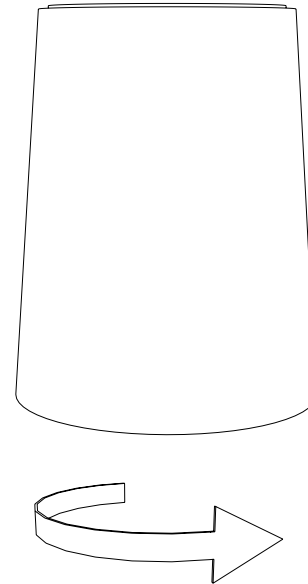
- 2** Connect live (L) and neutral (N) wires to junction box and insert into ceiling. Connect ground wire to terminal located on rear side of mounting plate



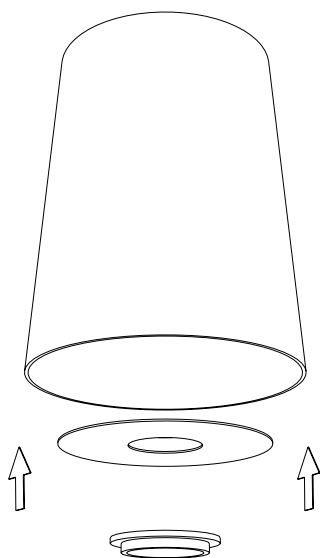
- 3** Fix mounting plate to ceiling with 3 x countersunk screws. Ensure screws are suitable for the mounting substrate and weight of the light fitting



- 4** Fix lamp shade to mounting plate by lifting the shade and twisting it onto the mounting plate



- 5** Attach the lamp holder plate to the lampholder using the plastic screw rings provided. The light fitting can now be lamped and tested.



- !** Keep this install and maintenance guide for future reference.

### Cleaning & Maintenance

FM looks best when dusted regularly. For any fingerprints or marks, use a damp micro-fibre cloth. If necessary, a mild detergent can be used which has a non-solvent base - a spot test is recommended on an unseen area before use of any cleaning product.

### ENSURE LIGHT FITTING IS TURNED OFF WHEN CLEANING

Replacement lamps can be purchased from Artefact Industries