



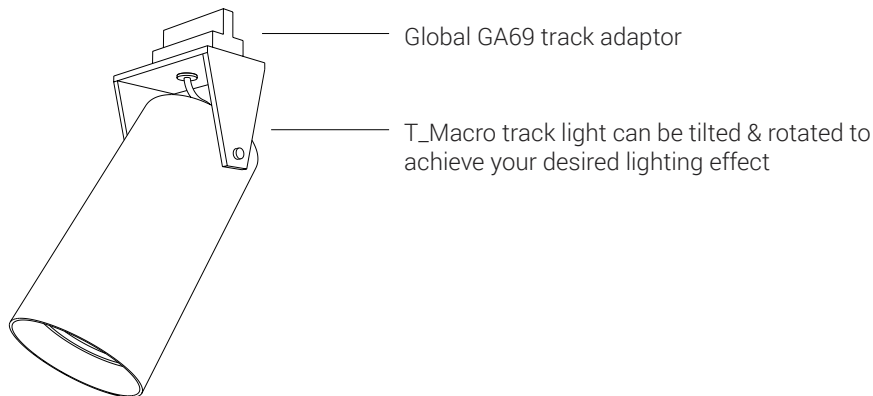
T_MACRO TRACK LIGHT INSTALLATION GUIDE

Please read this manual carefully before proceeding with any installation or maintenance works. Failure to comply with the instructions listed in this manual may void warranty and, in the case of improper installation, cause serious injury. Please contact Artefact Industries with any questions relating to installation or maintenance.

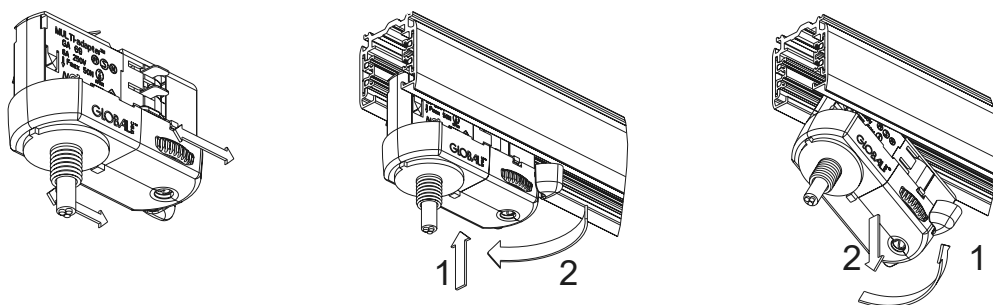
INSTALLATION BY A LICENSED ELECTRICIAN ONLY

SIZE	WEIGHT	WATTAGE	INPUT VOLTAGE	TYPE	IP RATING
Ø100 X 200mm (+ bracket)	<2KG	MAX. 20W E27 lamp base	240VAC 50Hz	CLASS I 	IP40 INDOOR ONLY

- 1** This light fitting connects to Global 3 circuit Trac Pro track (By Nordic Aluminium). See installation instructions supplied with your track components or visit the Artefact website to download a copy.



- 2** Use rotary dial on the side of the track adaptor to select circuit (1, 2 or 3)
Rotate lever counter-clockwise to connect to track
Rotate lever clockwise to remove from the track



T_MACRO TRACK LIGHT CLEANING & MAINTENENCE

T_Macro looks best when dusted regularly. For any fingerprints or marks, use a damp micro-fibre cloth. If necessary, a mild detergent can be used which has a non-solvent base - a spot test is recommended on an unseen area before use of any cleaning product. Replacement lamps can be purchased from Artefact Industries.

ENSURE LIGHT FITTING IS TURNED OFF WHEN CLEANING

DETAILS LISTED IN THIS DOCUMENT ARE SUBJECT TO CHANGE WITHOUT NOTICE . PLEASE GO TO WEBSITE FOR UPDATED INFORMATION