



## T\_MINI PENDANT INSTALLATION GUIDE

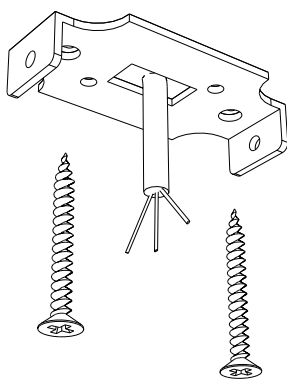
Please read this manual carefully before proceeding with any installation or maintenance works. Failure to comply with the instructions listed in this manual may void warranty and, in the case of improper installation, cause serious injury. Please contact Artefact Industries with any questions relating to installation or maintenance.

### INSTALLATION BY A LICENSED ELECTRICIAN ONLY

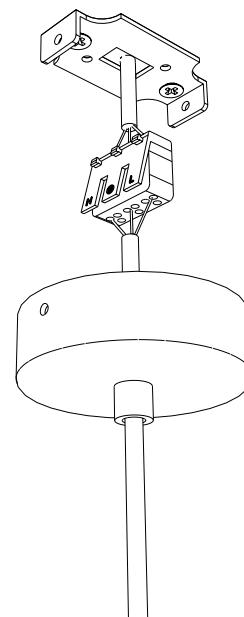
SIZE	WEIGHT	WATTAGE	INPUT VOLTAGE	TYPE	IP RATING
Ø80 X 240mm	<2KG	MAX. 20W GU10 lamp base	240VAC 50Hz	CLASS I 	IP40 INDOOR ONLY

**NOTE: Use of a platform to support the light fitting is recommended through steps 2 - 4**

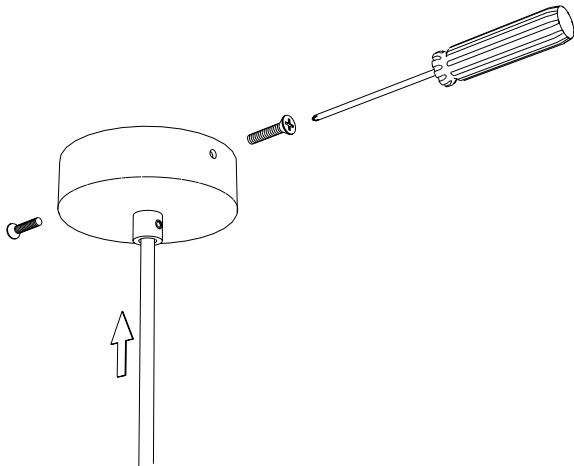
- 1** Attach bracket to ceiling at cable exit point. Installer to supply screw fixings which are suitable for the mounting substrate and weight of the light fitting



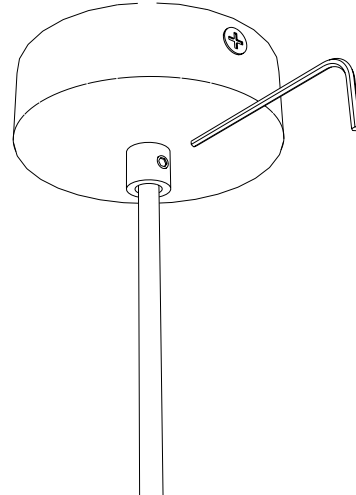
- 2** Feed flex through cord grip on canopy, cut flex back to required suspension length, then connect wires from ceiling & wires from light fitting using supplied terminal block.  
Note - blue wire to neutral, brown wire to active, green/yellow wire to earth



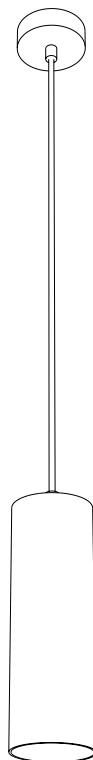
**3** Once wires are firmly secured in the terminal block, place the canopy over the bracket and fix in position with supplied screws.



**4** Firmly tighten the grub screw on the cord grip to secure flex in position



**5** Lamp can now be fitted into lamp holder



## T\_MINI PENDANT CLEANING & MAINTENANCE

T\_MINI looks best when dusted regularly. For any fingerprints or marks on, use a damp micro-fibre cloth. If necessary, a mild detergent can be used which has a non-solvent base - a spot test is recommended on an unseen area before use of any cleaning product.

Replacement lamps can be purchased from Artefact Industries.

### ENSURE LIGHT FITTING IS TURNED OFF WHEN CLEANING

DETAILS LISTED IN THIS DOCUMENT ARE SUBJECT TO CHANGE WITHOUT NOTICE . PLEASE GO TO WEBSITE FOR UPDATED INFORMATION