



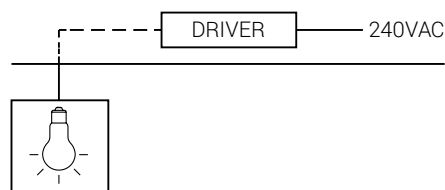
T_MINI PENDANT DALI INSTALLATION GUIDE

Please read this manual carefully before proceeding with any installation or maintenance works. Failure to comply with the instructions listed in this manual may void warranty and, in the case of improper installation, cause serious injury. Please contact Artefact Industries with any questions relating to installation or maintenance.

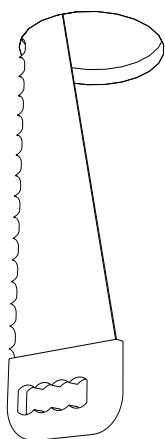
INSTALLATION BY A LICENSED ELECTRICIAN ONLY

SIZE	WEIGHT	WATTAGE	INPUT VOLTAGE		TYPE	IP RATING
Ø80 X 240mm	<2KG	MAX.10W GU5.3 BASE	12VDC	REMOTE LED DRIVER	CLASS III 	IP40 INDOOR ONLY

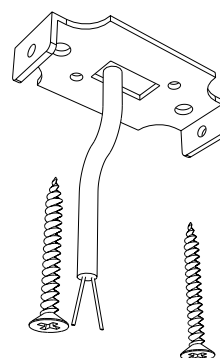
- 1** Remotely housed driver needed to power light fitting. DO NOT CONNECT DIRECTLY TO 240VAC. Maximum lead length between light fitting and driver is 4 metres.
NOTE : If light fitting is supplied with a dimmer, follow wiring instructions supplied with the dimmer



- 2** Cut hole in ceiling just big enough for driver to fit through. Connect driver to mains power (and dimming lines if applicable) and insert driver into ceiling



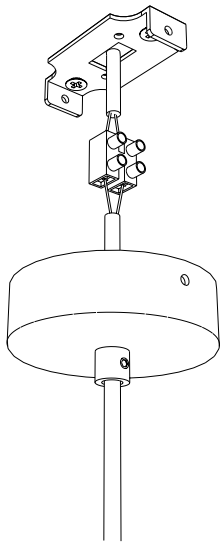
- 3** Attach bracket to ceiling at cable exit point. Installer to supply screw fixings which are suitable for the mounting substrate and weight of the light fitting



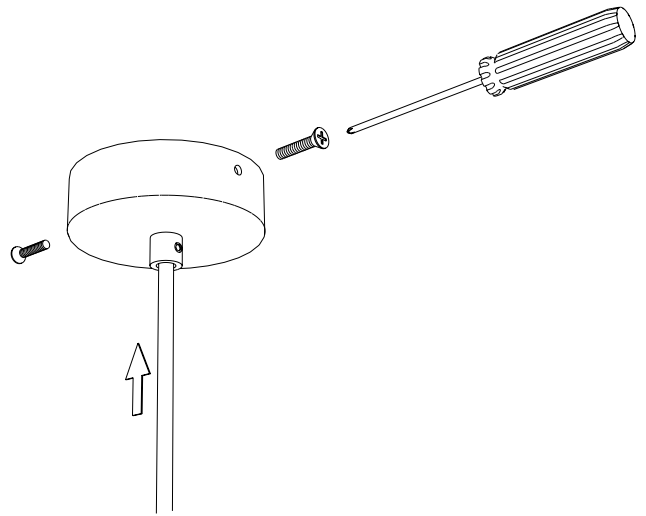
DETAILS LISTED IN THIS DOCUMENT ARE SUBJECT TO CHANGE WITHOUT NOTICE . PLEASE GO TO WEBSITE FOR UPDATED INFORMATION

NOTE: Use of a platform to support the light fitting is recommended through steps 4 - 7

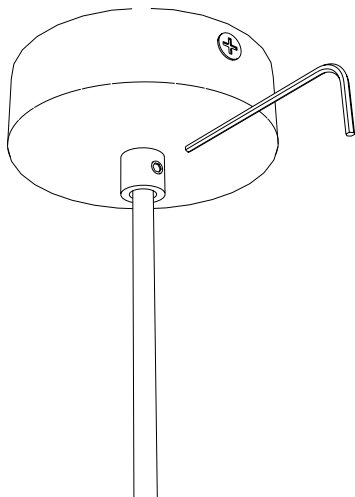
- 4** Feed flex through cord grip on canopy, cut flex back to required suspension length, then connect wires from driver & wires from light fitting. Ensure polarity is correct (RED + BLACK -)



- 5** Once wires are firmly secured in the terminal block, place the canopy over the bracket and fix in position with supplied screws

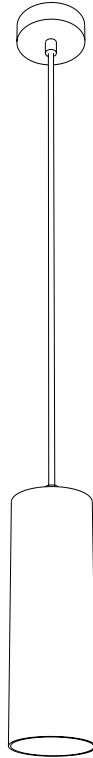


- 6** Firmly tighten the grub screw on the cord grip to secure flex in position



7

Lamp can now be fitted into lamp holder



T_MINI PENDANT DALI CLEANING & MAINTENANCE

T_MINI looks best when dusted regularly. For any fingerprints or marks on, use a damp micro-fibre cloth. If necessary, a mild detergent can be used which has a non-solvent base - a spot test is recommended on an unseen area before use of any cleaning product.

Replacement lamps can be purchased from Artefact Industries.

ENSURE LIGHT FITTING IS TURNED OFF WHEN CLEANING

DETAILS LISTED IN THIS DOCUMENT ARE SUBJECT TO CHANGE WITHOUT NOTICE . PLEASE GO TO WEBSITE FOR UPDATED INFORMATION