


GLOBE 3 | 5 | 9 | 15 INSTALLATION GUIDE

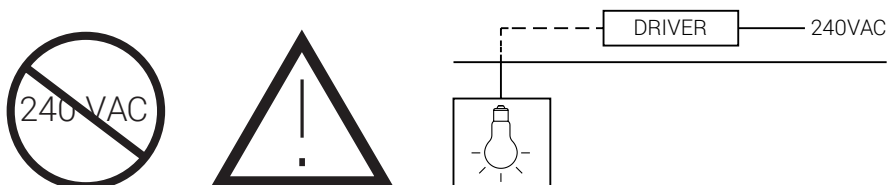

Please read this manual carefully before proceeding with any installation or maintenance works. Failure to comply with the instructions listed in this manual may void warranty and, in the case of improper installation, cause serious injury. Please contact Artefact Industries with any questions relating to installation or maintenance.

INSTALLATION BY A LICENSED ELECTRICIAN ONLY

SIZE	WEIGHT	WATTAGE	INPUT		TYPE	IP RATING
Canopy footprint: Ø150mm O/A length: variable	<5KG	3W	350mA	REMOTE CC LED DRIVER	CLASS III 	IP40 INDOOR ONLY
Canopy footprint: Ø250mm O/A length: variable	<10KG	5W				
Canopy footprint: Ø400mm O/A length: variable	<20KG	9W				
Canopy footprint: Ø600mm O/A length: variable	<35KG	15W				

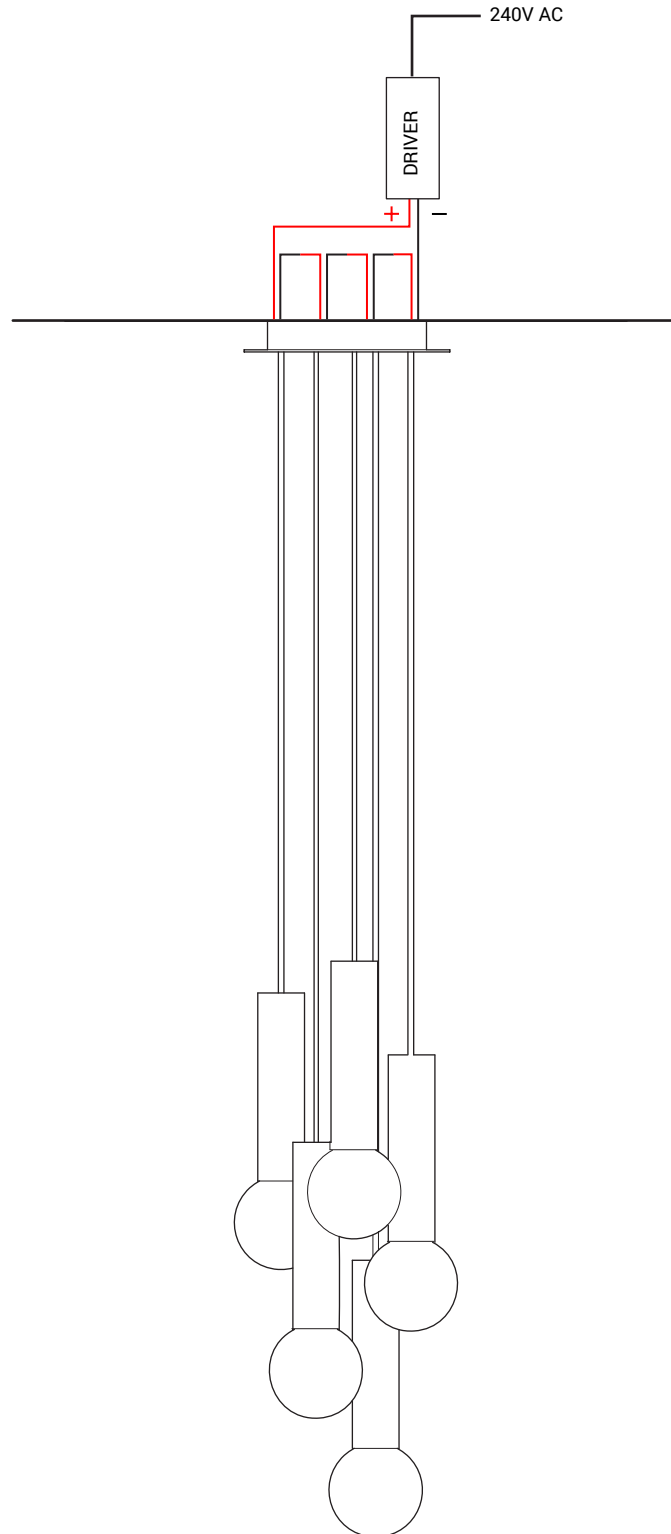


Remotely housed driver needed to power light fitting. DO NOT CONNECT DIRECTLY TO 240VAC. Maximum lead length between light fitting and driver is 4 metres. ***NOTE:** If light fitting is supplied with a dimmer, follow wiring instructions supplied with the dimmer.

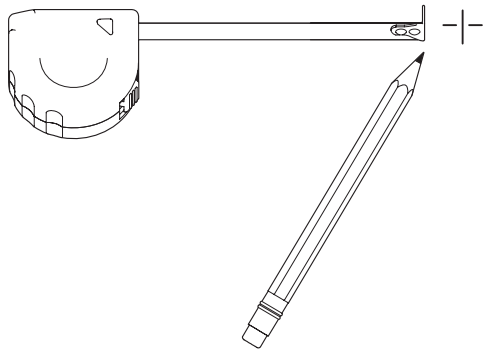




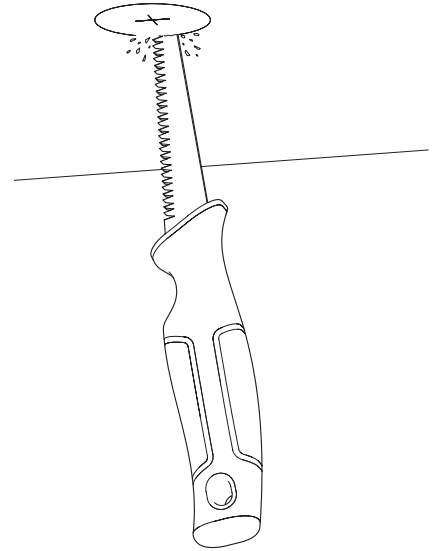
IMPORTANT! Remotely housed driver needed to power light fitting. DO NOT CONNECT DIRECTLY TO 240VAC. Maximum lead length between light fitting and driver is 4 metres. ***NOTE:** GLOBE CEILING CLUSTERS MUST BE WIRED IN SERIES.



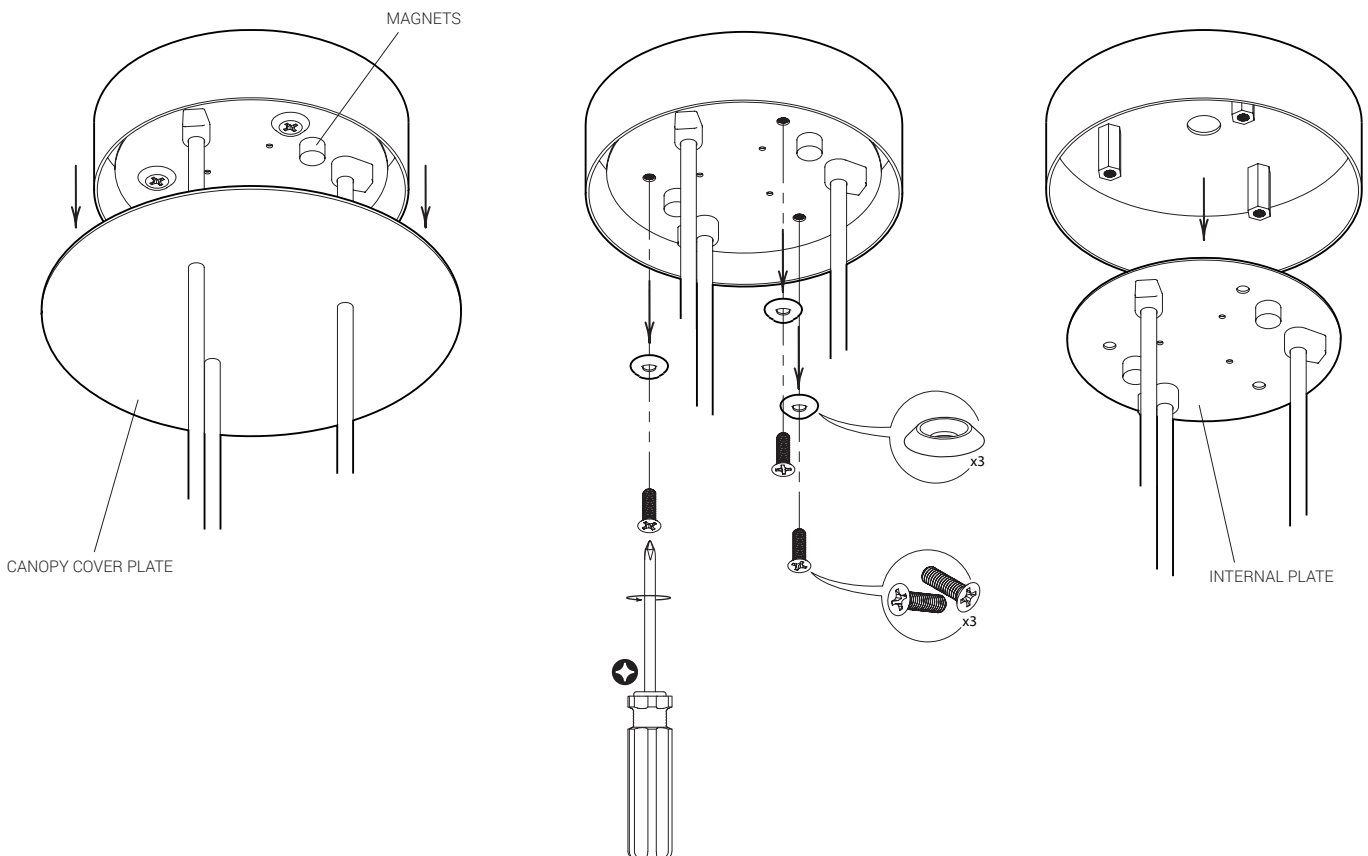
- 1** Measure and mark desired mounting position of fitting on ceiling.



- 2** Cut access hole in ceiling substrate ensuring cut-out is just large enough to fit wiring and driver.

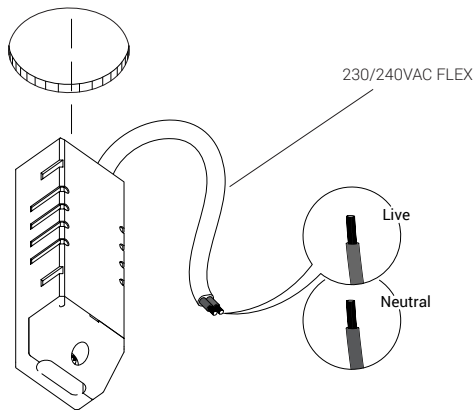


- 3** Remove canopy cover plate by detaching from internal magnets. Then remove internal plate assembly via screws located inside canopy enclosure. Place all items in a safe location for further instructions.

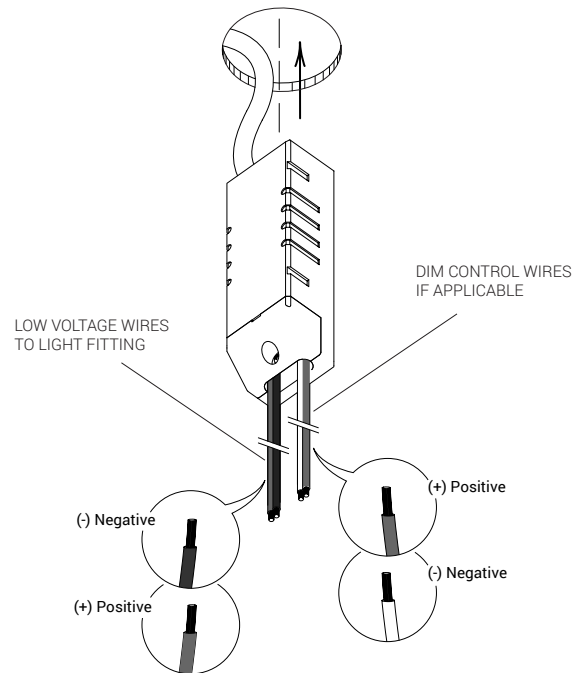


DETAILS LISTED IN THIS DOCUMENT ARE SUBJECT TO CHANGE WITHOUT NOTICE . PLEASE GO TO WEBSITE FOR UPDATED INFORMATION

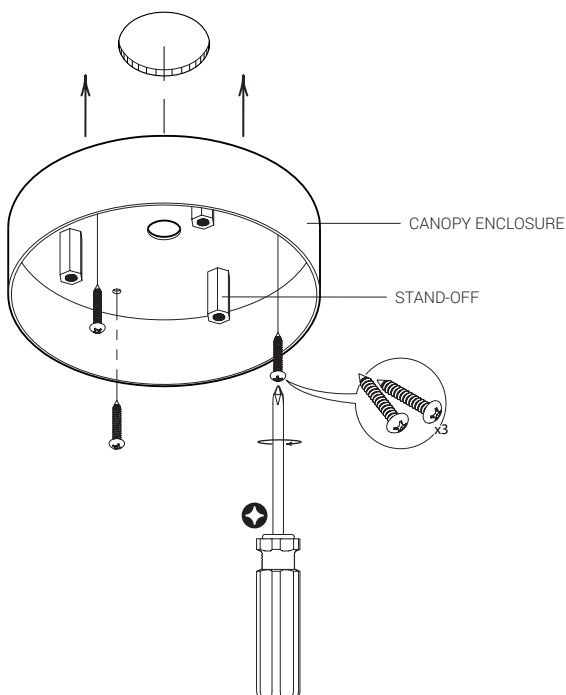
4 To corresponding terminals marked on input side of driver: Connect 230/240VAC wiring; BROWN (Live), BLUE (Neutral).



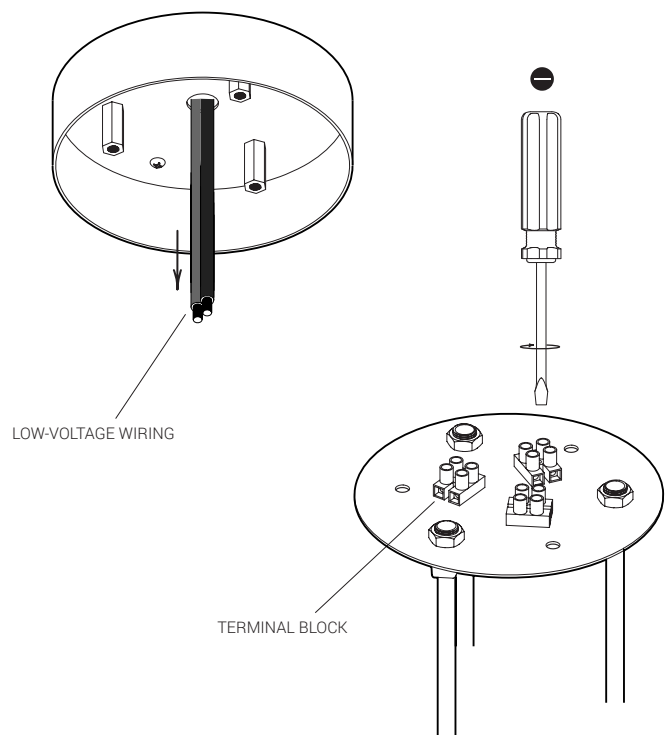
5 To corresponding terminals marked output side of driver: Connect low-voltage wiring; RED (+), BLACK (-) and If applicable to this installation, connect control wires. Then insert driver through hole cut in ceiling substrate.



6 Screw-fix canopy enclosure to ceiling via 3x 4mm mounting holes, ensuring center hole in canopy aligns with access hole cut in ceiling substrate. ***NOTE:** Installer to ensure fixing hardware is suitable for the ceiling substrate and weight of entire fitting.



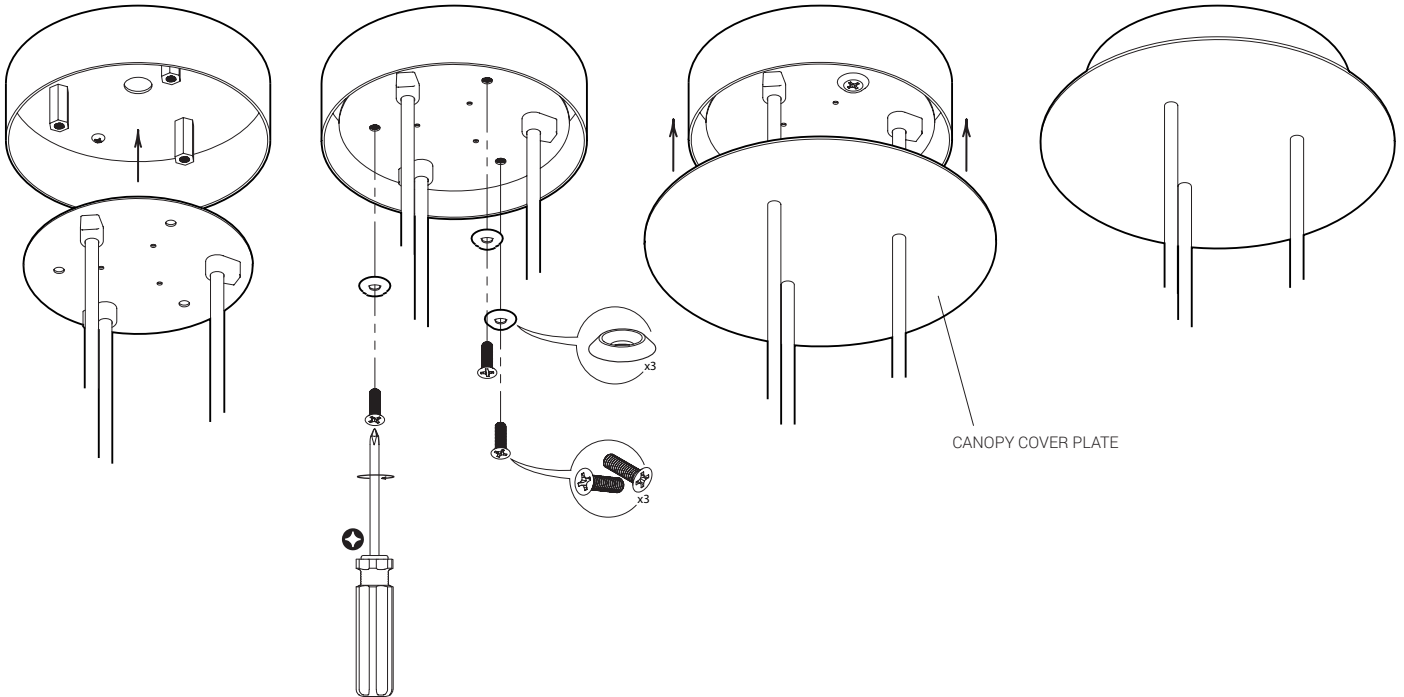
7 Feed low-voltage output wires from driver RED (+), BLACK (-) through center hole in canopy enclosure and connect to terminal block located on top side of internal plate assembly.



DETAILS LISTED IN THIS DOCUMENT ARE SUBJECT TO CHANGE WITHOUT NOTICE . PLEASE GO TO WEBSITE FOR UPDATED INFORMATION

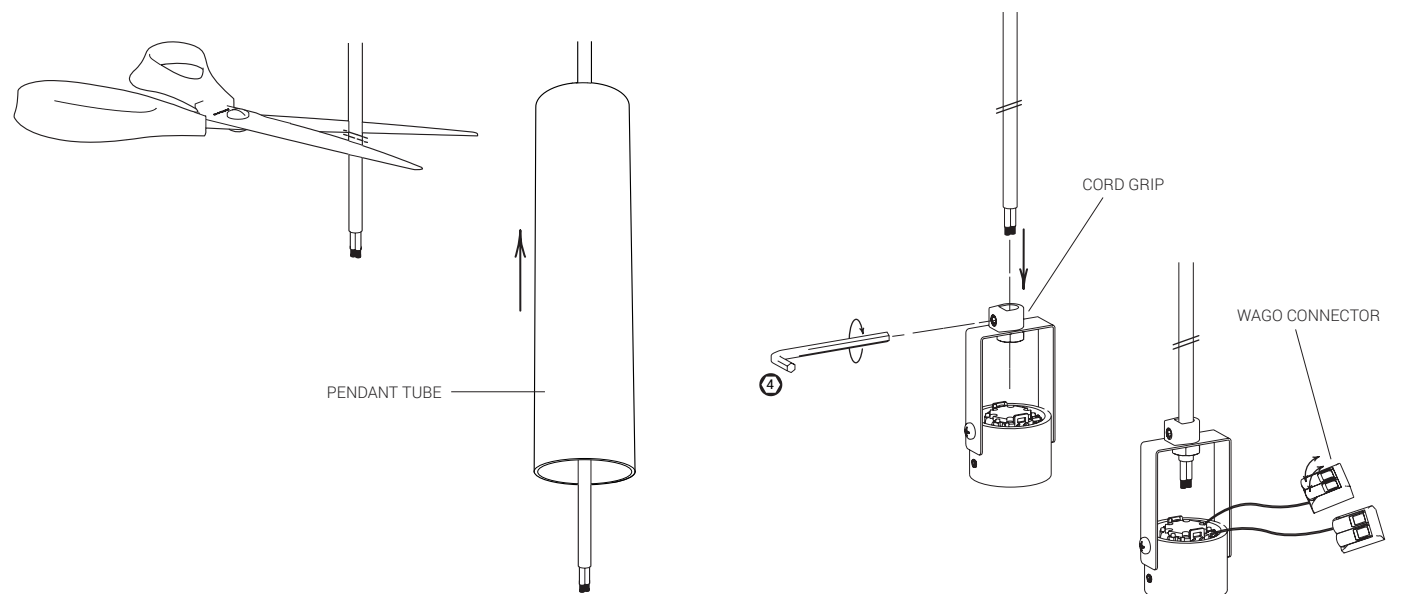
8 Using hardware set aside in earlier steps, re-fit internal plate assembly to stand-offs located inside canopy enclosure.

9 Replace canopy cover plate by sliding it up electrical flex towards ceiling canopy until it connects with locating magnets. The canopy component of this install is now complete*.



10 Trim lengths of flex to desired drop length. Bare ends of flex back before feeding through pendant tube.
***NOTE:** Cloth flex will need to be masked with electrical tape prior to trimming to avoid sheath fraying.

11 Insert flex into LED cartridge and secure in place by tightening grub screw on cord grip. Join flex to LED wiring tail via provided Wago connectors located inside cartridge.

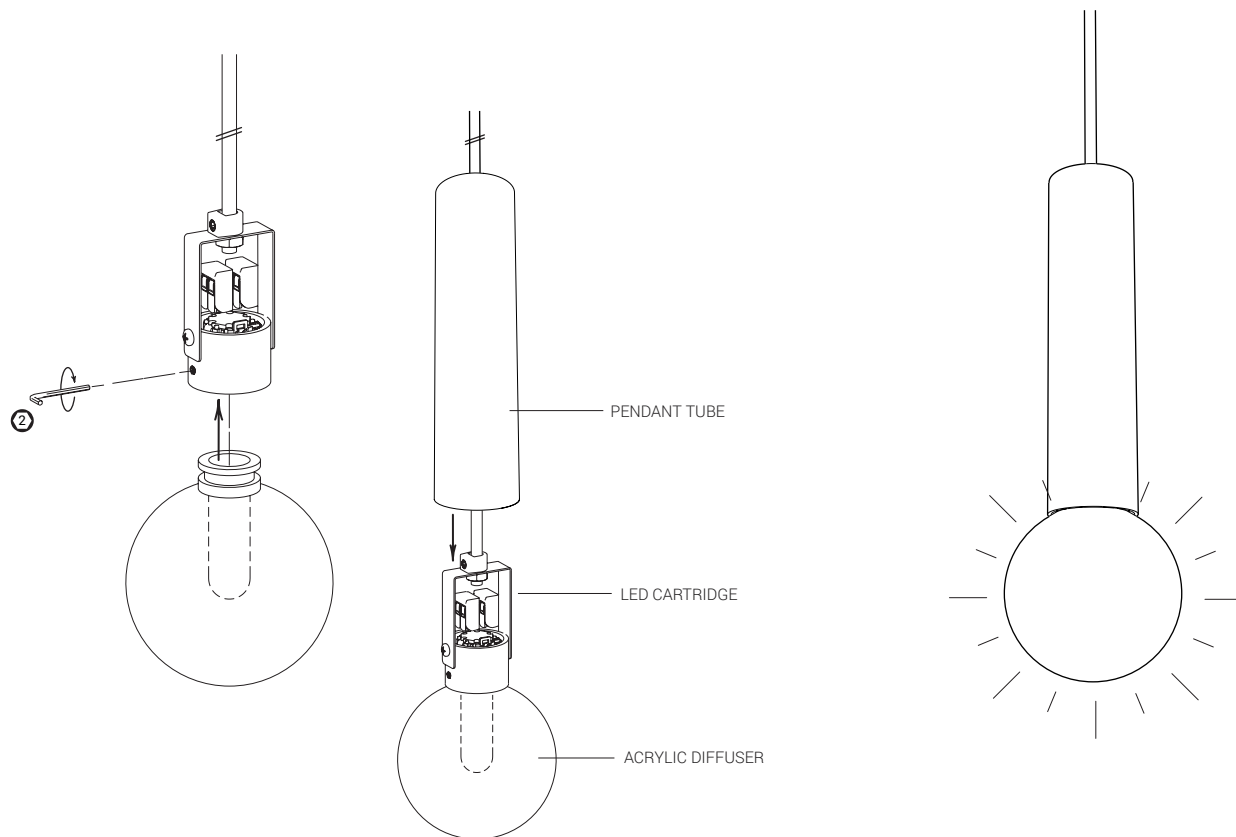


12

Insert neck of acrylic diffuser into Globe cartridge. Secure in place by tightening 2x grub screws on side. ***Note:** Take care not to over tighten grub screws! Failure to do so may result in damaging diffuser. Slide pendant tube back down over LED cartridge.

13

Any remaining packaging can now be removed from the installation. The light fitting is now ready to be turned on*.



GLOBE PENDANT CLEANING & MAINTENANCE

Globe looks best when dusted regularly. For any fingerprints or marks, use a damp micro-fibre cloth. If necessary, a mild detergent can be used which has a non-solvent base - a spot test is recommended on an unseen area before use of any cleaning product.

Replacement LED modules can be purchased from Artefact Industries.

ENSURE LIGHT FITTING IS TURNED OFF WHEN CLEANING & DURING MAINTENANCE WORKS