



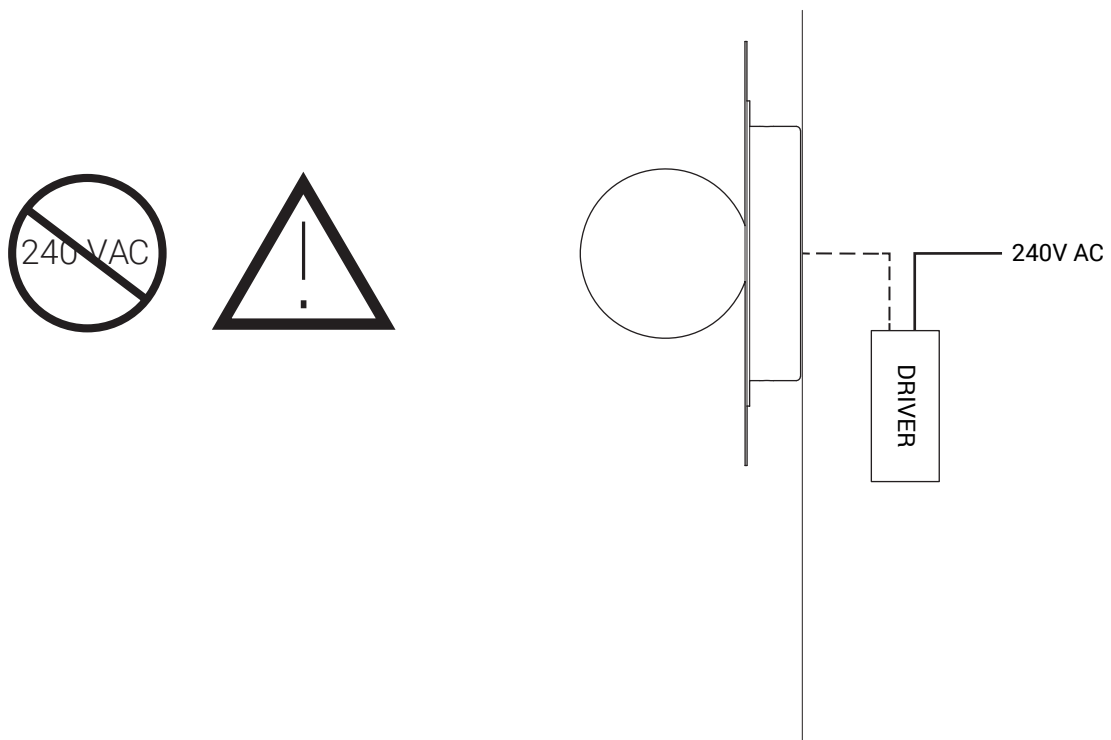
## GLOBE WALL INSTALLATION GUIDE

Please read this manual carefully before proceeding with any installation or maintenance works. Failure to comply with the instructions listed in this manual may void warranty and, in the case of improper installation, cause serious injury. Please contact Artefact Industries with any questions relating to installation or maintenance.

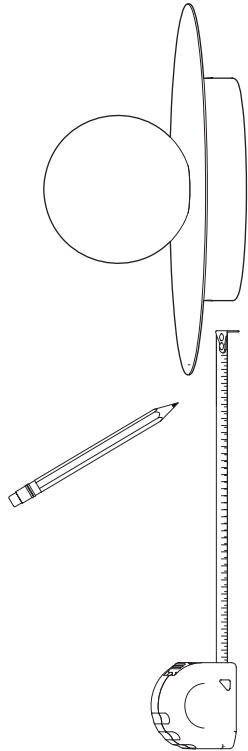
### INSTALLATION BY A LICENSED ELECTRICIAN ONLY!

SIZE	WEIGHT	WATTAGE	INPUT		TYPE	IP RATING
Ø250mm	2KG	1W	350mA	REMOTE CC LED DRIVER	CLASS III 	IP40 INDOOR ONLY

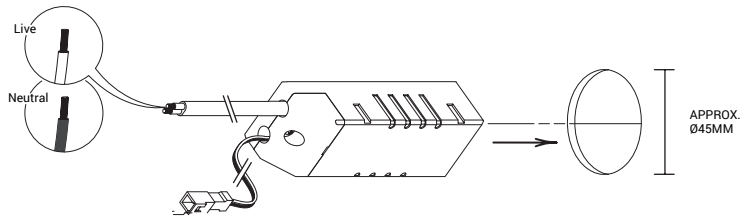
IMPORTANT! Remotely housed driver needed to power light fitting. DO NOT CONNECT DIRECTLY TO 240VAC. Maximum lead length between light fitting and driver is 4 metres. NOTE: If light fitting is supplied with a dimmer, follow wiring instructions supplied with the dimmer



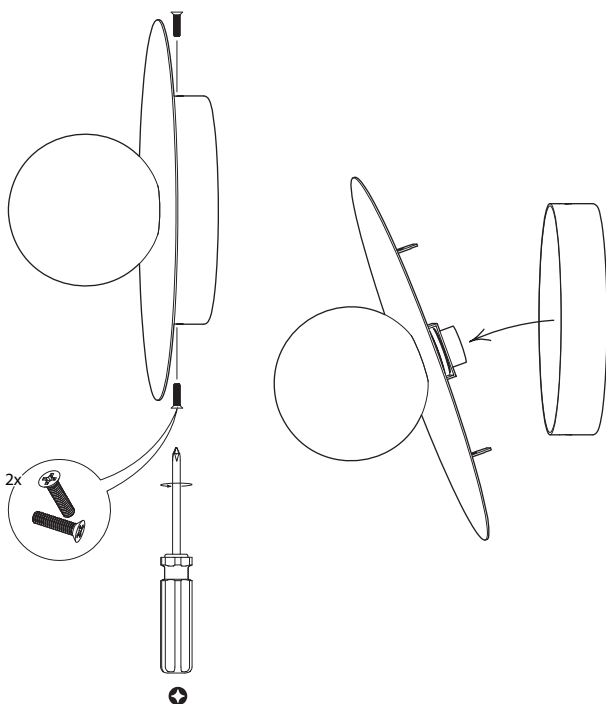
**1** Measure and mark the mounting position on the wall.



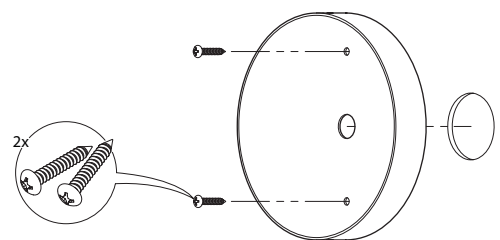
**2** Cut access hole in wall substrate, ensuring the cut-out is large enough to fit the remote driver. Connect brown (live) and blue (neutral) to the mains terminals on the driver.



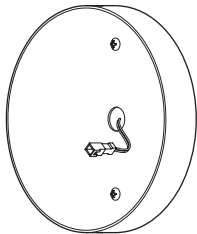
**3** Remove the cover plate assembly via the screws located on the top and bottom of the wall canopy. Place all items in a safe location for later steps.



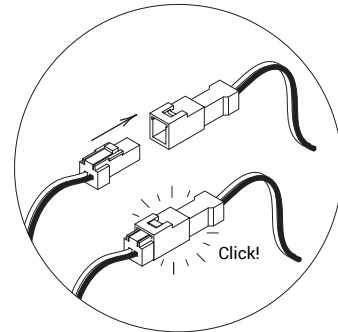
**4** Mount the canopy in the desired position on the wall, according to the cable exit. NOTE: Installer to supply screw fixings which are suitable for the mounting substrate and also the weight of the light fitting.



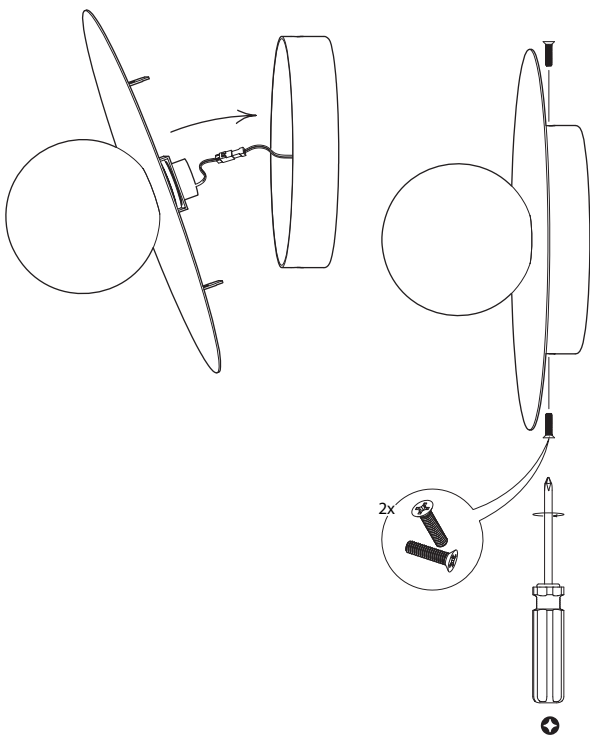
- 5** Feed the low voltage supply wiring (RED + BLACK -) into the wall canopy. This wiring may be trimmed if necessary at the driver end ONLY.



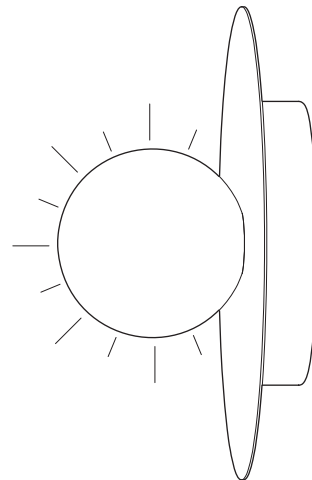
- 6** Connect the low voltage supply wiring to the LED module via the 2-pin electrical harness connector.



- 7** Refit the cover plate assembly and hardware (set aside in step 4) using a phillips head screwdriver.



- 8** once installation is complete, remove any remaining packaging from the light fitting. It is now ready to be switched on\*



## GLOBE WALL LIGHT CLEANING

Globe looks best when dusted regularly. For any fingerprints or marks, use a damp micro-fibre cloth. If necessary, a mild detergent can be used which has a non-solvent base - a spot test is recommended on an unseen area before use of any cleaning product.

**ENSURE LIGHT FITTING IS TURNED OFF WHEN CLEANING**